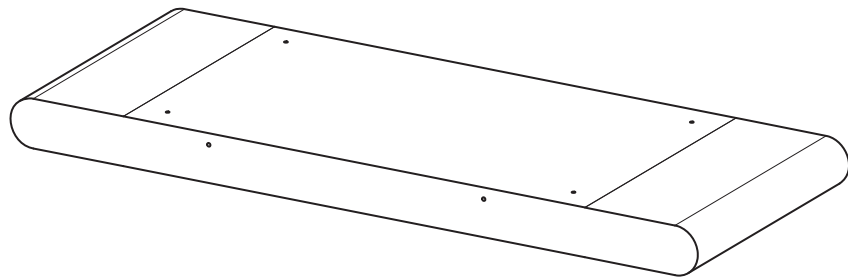
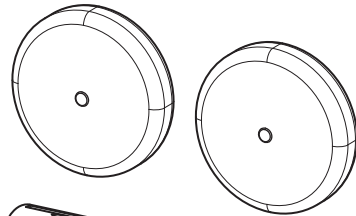




- ① x 4
- ② x 2
- ③ x 4
- ④ x 2
- ⑤ x 8
- ⑥ x 1



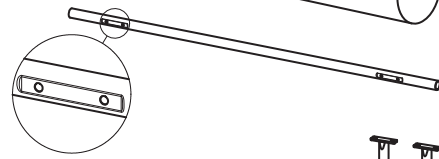
A x 1



B x 2



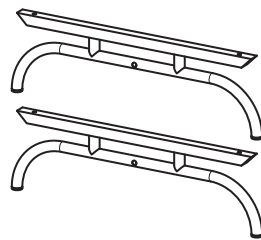
C x 1



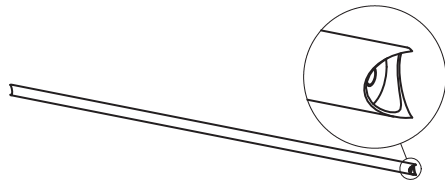
D x 1



E x 2



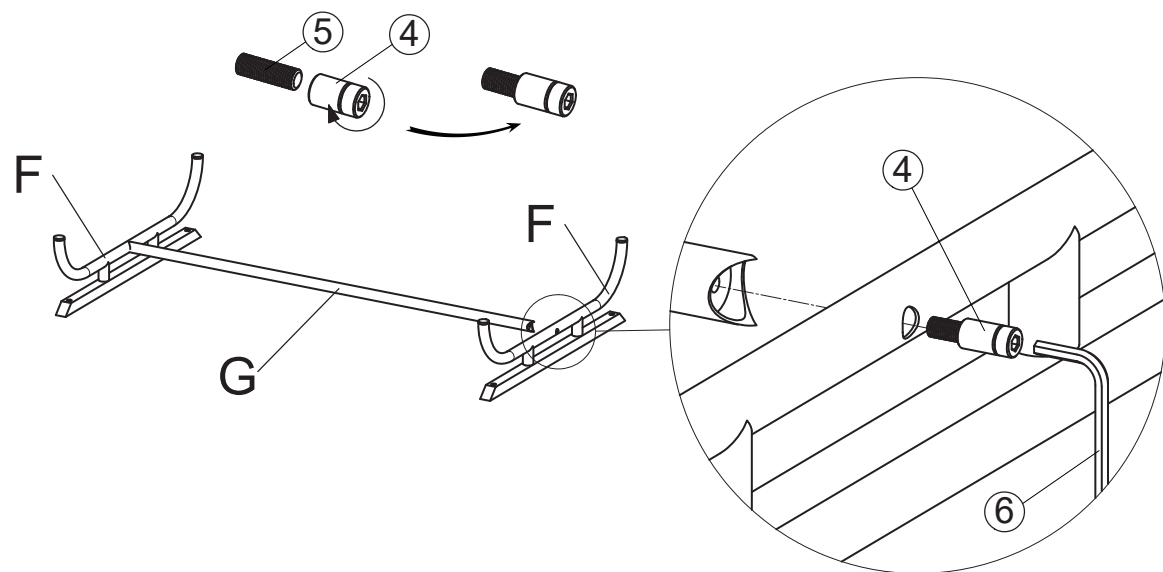
F x 2



G x 1

1

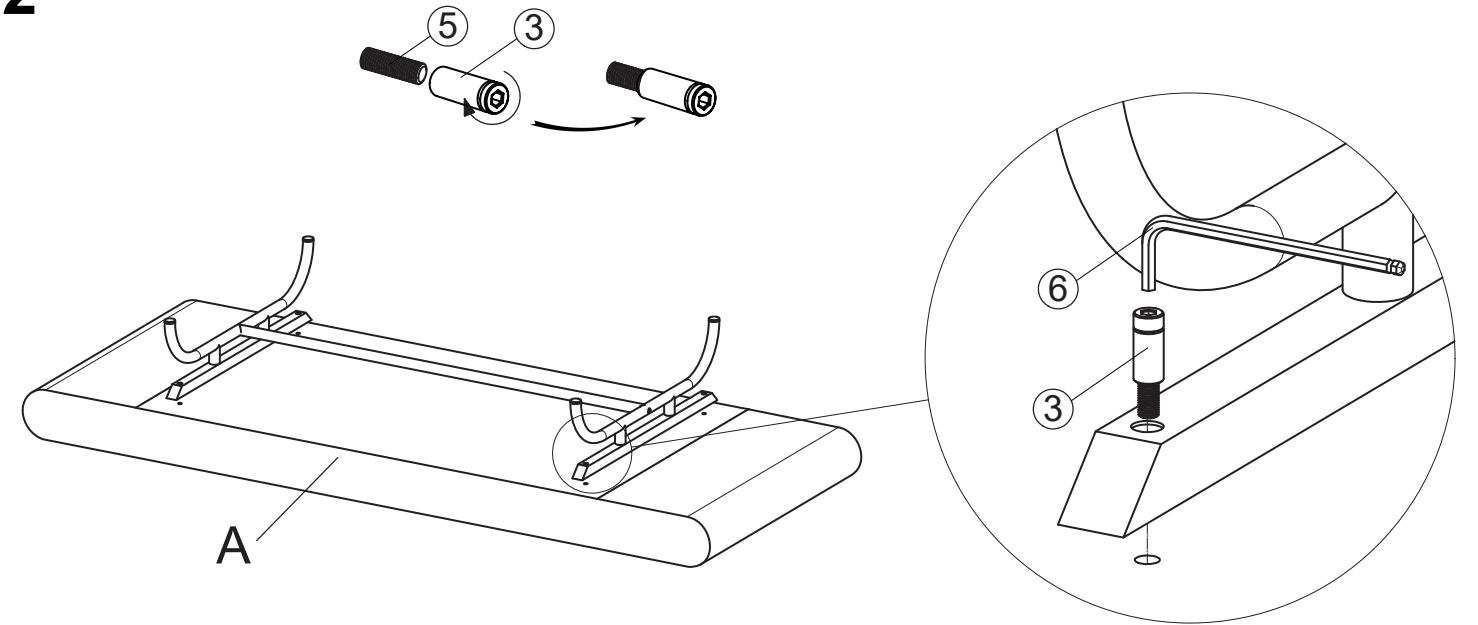
- ④ x 2
- ⑤ x 2



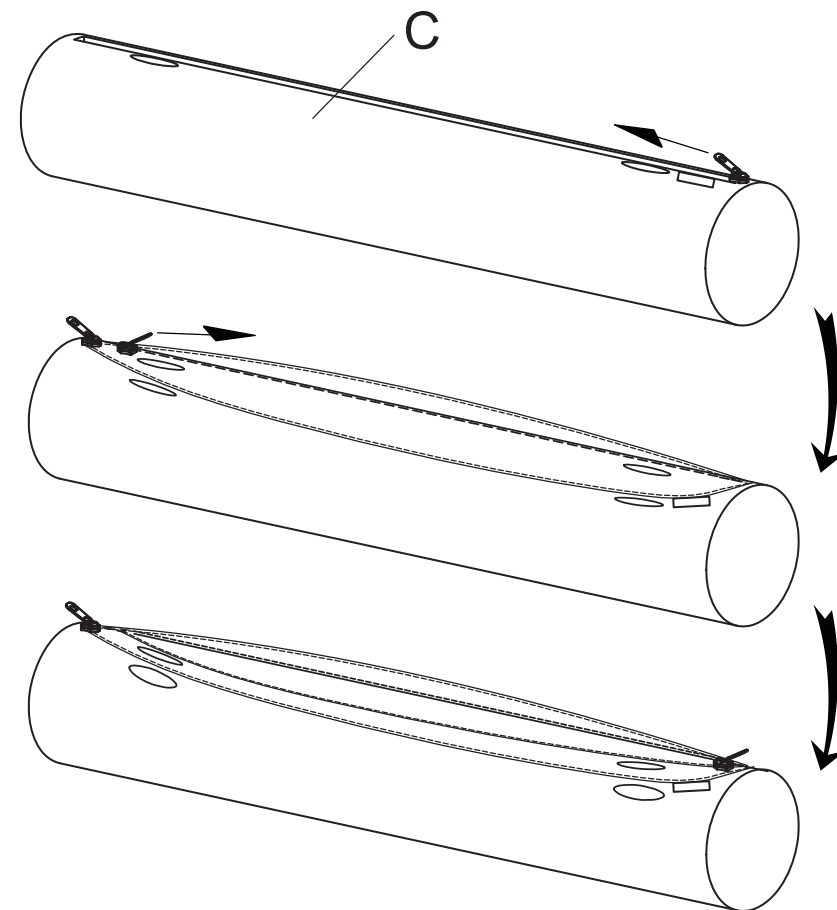
069870

2

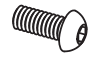
- ③ x 4
- ⑤ x 4



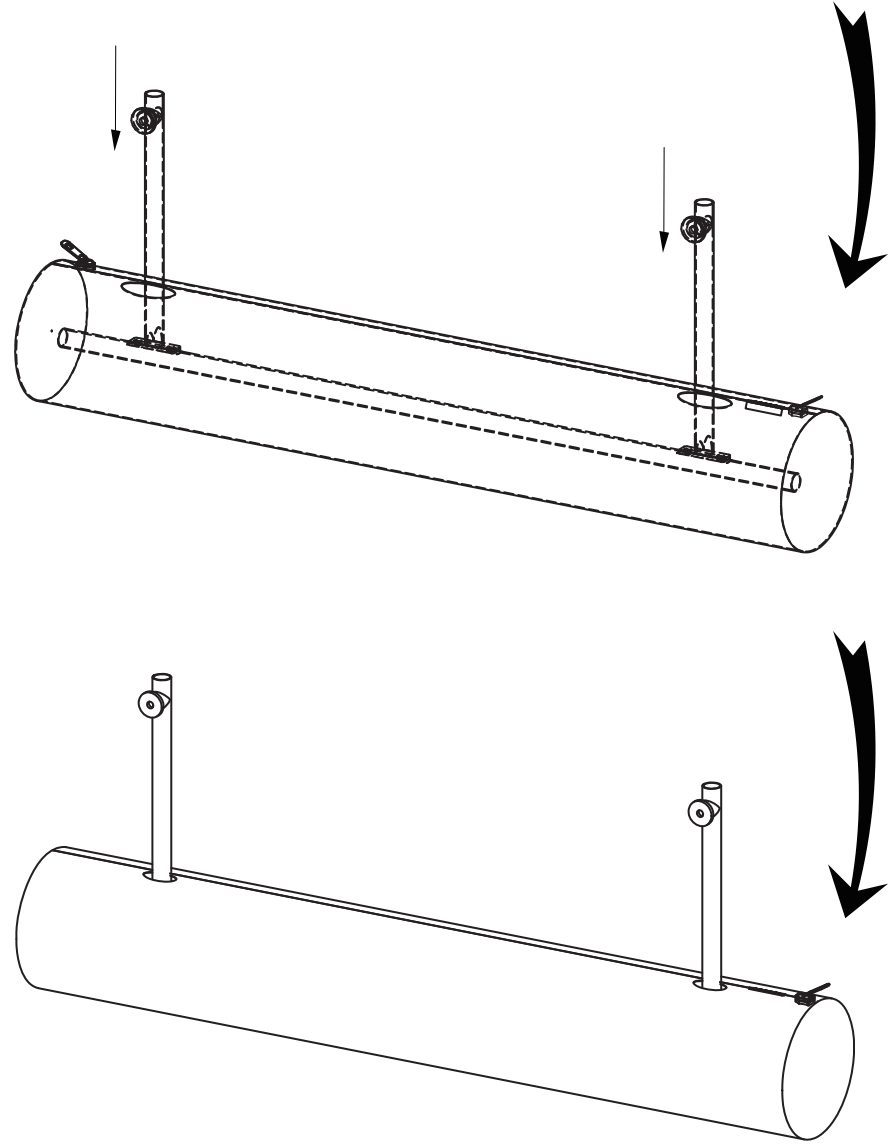
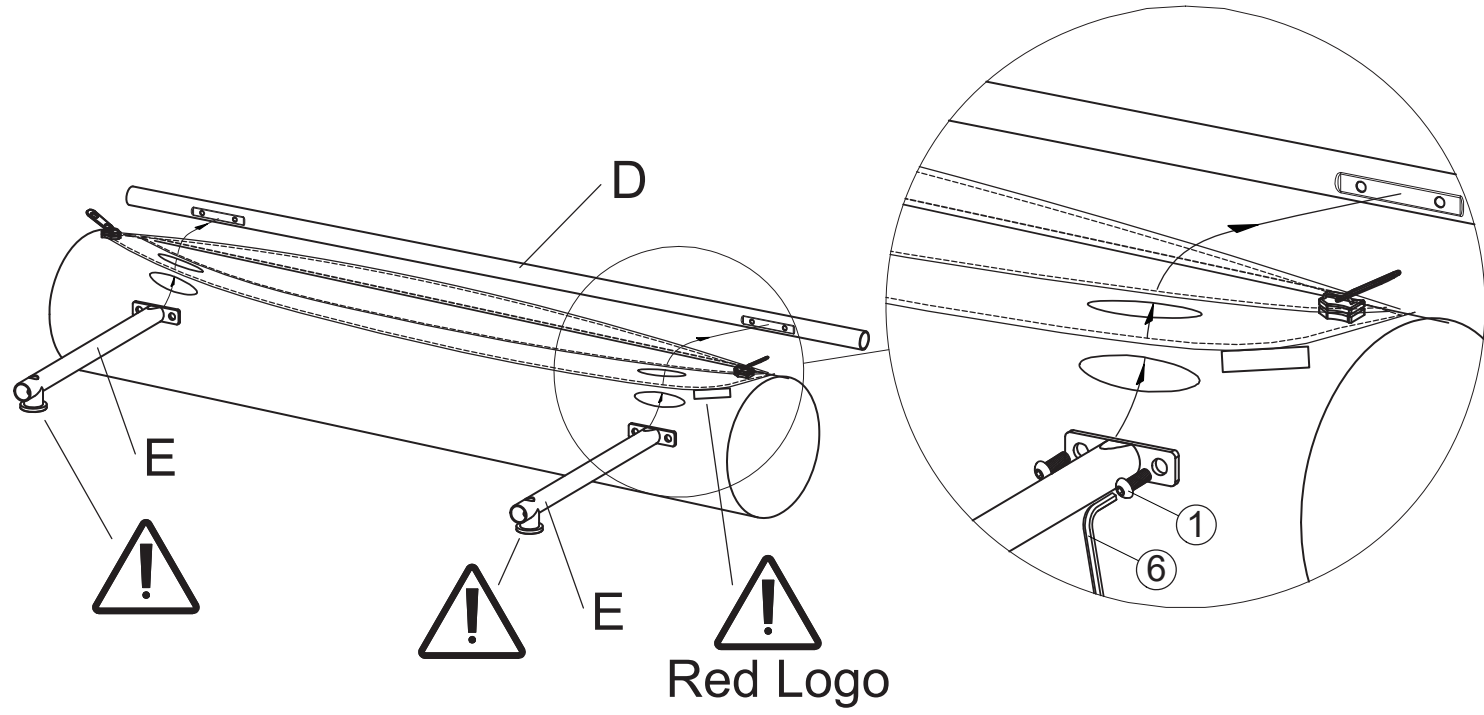
3



4

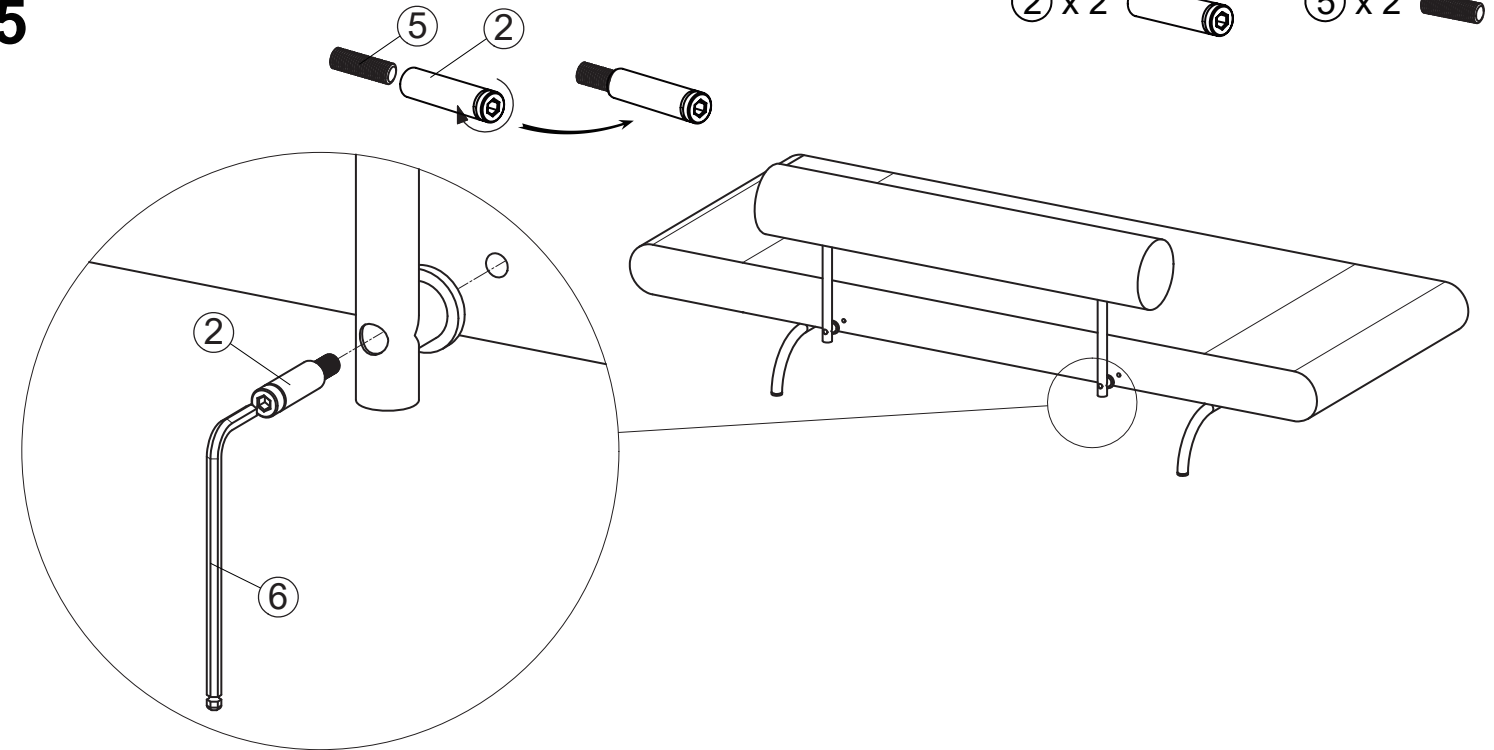
① x 4 

069870



5

② x 2  ⑤ x 2 



6

